

HDPQ® SP Weatherproof Power Quality Packages



Published by Dranetz
1000 New Durham Road
Edison, NJ 08817 USA
Telephone: 1-800-372-6832 or 732-287-3680
Fax: 732-248-1834
Web site: www.dranetz.com
Copyright ©2017 Dranetz
All rights reserved.

No part of this book may be reproduced, stored in a retrieval system, or transcribed in any form or by any means—electronic, mechanical, photocopying, recording, or otherwise—without prior written permission from the publisher, Dranetz, Edison, NJ 08817.
Printed in the United States of America.



Table of Contents

HDPQ [®] SP Family Features Comparison Guide	3
HDPQ[®] Visa SP Packages	
HDPQ-SPVAFLEX3KPKG-IP	4
HDPQ -SPVAFLEX6KPKG-IP	5
HDPQ-SPVAMFLEX3PKG-IP	6
HDPQ[®] Guide SP Packages	
HDPQ-SPGAFLEX3KPKG-IP	7
HDPQ-GAFLEX6KPKGI-IP	8
HDPQ-GAMFLEX3PKG-IP	9
HDPQ[®] Xplorer SP Packages	
HDPQ-SPXAFLEX3KPKG-IP	10
HDPQ-SPXAFLEX6KPKG-IP	11
HDPQ-SPXAMFLEX3PKG-IP	12
HDPQ[®] Xplorer-400 SP Packages	
HDPQ-SPX4AFLEX3KPKG-IP	13
HDPQ-SPX4AFLEX6KPKG-IP	14
HDPQ-SPX4AMFLEX3PKG-IP	15
HDPQ[®] SP Accessories	
Dranetz IP65 Dranflex Flexible AC Current Probes	17
HDPQ [®] SP Miscellaneous Accessories, HDPQ SP Battery	18
HDPQ [®] SP Measurement Accessories	19
HDPQ [®] SP Measurement Accessories	20
HDPQ [®] SP Carrying Cases and Enclosures and HDPQ SP Communications Accessories	21
HDPQ [®] SP Mounting Options	22



Dranetz HDPQ® SP Family - Features Guide

	Feature	HDPQ Visa SP	HDPQ Guide SP	HDPQ Xplorer SP
Enclosure	IP65	•	•	•
Power	AC/DC Power: 90-600VAC/500VDC, CAT IV, 50/60Hz	•	•	•
Communications	Ethernet	•	•	•
	Wi-Fi	-	•	•
	Bluetooth	Optional	•	•
	USB	•	•	•
	VNC for Full Remote Control of the Instrument	•	•	•
	Apple & Android Apps for Metering & Alarming	•	•	•
	GPS Time Synch (See Note below)	•	•	•
	Measurements	(4) Differential, AC/DC Voltage Channels, 0-1000V	•	•
	(4) Differential, AC/DC Current Channels, FLEX Power	•	•	•
	1000V Cat III, 600V CAT IV	•	•	•
	IEC 61000-4-30:2008 Class A with Certificate	•	•	•
	512 Samples/Cycle/Channel on V & I	•	•	•
	Sag/Dip, Swell	•	•	•
	Transients to 32us/40us (60Hz/50Hz)	•	•	•
	Transients to 1us			•
	Demand & Energy	•	•	•
	IEEE 1159 Advanced Energy		•	•
	Harmonics V/I	127/63	127/63	127/63
	EN 50160 Edition 3	•	•	•
	400Hz monitoring			HDPQ® Xplorer-400 SP
Answer Modules	Motor Health	•	•	•
	Sag Directivity		•	•
	Power Factor Correction Capacitor		•	•
Setups	Automatic Setups for PQ, Demand & Energy	•	•	•
	Manual Setup Wizard	•	•	•
	Monitoring Modes	7	9	9
	Max Pre/Post Trigger Cycles	100	10,000	10,000
	# Transient Triggers	3	3	4
Safety	 US	•	•	•
	CE	•	•	•

Note: GPS Time Synch requires optional GPS receiver and antenna.



HDPQ[®] SP Weatherproof Power Quality Package HDPQ-SPVAFLEX3KPKG-IP



HDPQ[®] Visa SP

The Best Value in PQ & Energy Monitoring

The **Dranetz HDPQ[®] Visa SP** is housed in an IP65 enclosure and can be powered from the circuit being measured or another source. No other product at this price point comes close to matching the benefits and features provided by the Dranetz HDPQ[®] Visa SP.



Phase Power Interconnect Cable 118708-G1

Phase Power Interconnect Cable. (Standard Accessory)



USB Micro Adapter USBMA-OTG

USB Micro adapter On the Go.



Voltage Cable Set 118375-G1

Includes: 8 - Six ft. (183cm) measurement cables: 4 Black, 4 White; 4 - Black alligator clips; 4 - White alligator clips; 4 - Black 25 cm stackable jumpers. Compatible with portable and permanent systems with 4mm voltage connectors.



1- DRANFLEX3003XLB24-IP Three phase flex probe 30/300/3000Amp

3A to 3000Amp (3 ranges), 1.5V output, IP65 connector, 8" dia. maximum conductor size, 1000V Max rated.

1- DRANFLEX3000XLB24-IP Single phase flex probe 30/300/3000Amp

3A to 3000Amp (3 ranges), 1.5V output, IP65 connector, 8" dia. maximum conductor size, 1000V Max rated.



SCC-HDPQ Soft Carry Case

Individual storage compartments for the instrument, CT's, voltage cables and more. Dimensions: 12" L x 18" W x 9" D (30.5cm L x 45.7cm W x 22.9cm D)



Dran-View[®] 7 DV7P-PX

Dran-View is a Windows based software package that enables power professionals to simply and quickly visualize and analyze power and energy monitoring data. It is a snap to navigate, delivers automated functionality and incorporates powerful analytical capabilities and customizable options to meet the needs of every user. Dran-View is successfully used by thousands of customers around the world, and has become the industry leading power management software tool.



HDPQ® SP Weatherproof Power Quality Package

HDPQ-SPVAFLEX6KPKG-IP



HDPQ® Visa SP

The Best Value in PQ & Energy Monitoring

The **Dranetz HDPQ® Visa SP** is housed in an IP65 enclosure and can be powered from the circuit being measured or another source. No other product at this price point comes close to matching the benefits and features provided by the Dranetz HDPQ® Visa SP.



Phase Power Interconnect Cable 118708-G1

Phase Power Interconnect Cable. (Standard Accessory)



USB Micro Adapter USBMA-OTG

USB Micro adapter On the Go.



Voltage Cable Set 118375-G1

Includes: 8 - Six ft. (183cm) measurement cables: 4 Black, 4 White; 4 - Black alligator clips; 4 - White alligator clips; 4 - Black 25 cm stackable jumpers. Compatible with portable and permanent systems with 4mm voltage connectors.



1- DRANFLEX6003XLB24-IP Three phase flex probe 60/600/6000Amp

6A to 6000Amp (3 ranges), 1.5V output, IP65 connector, 8" dia. maximum conductor size, 1000V Max rated.

1- DRANFLEX6000XLB24-IP Single phase flex probe 60/600/6000Amp

6A to 6000Amp (3 ranges), 1.5V output, IP65 connector, 8" dia. maximum conductor size, 1000V Max rated.



SCC-HDPQ Soft Carry Case

Individual storage compartments for the instrument, CT's, voltage cables and more. Dimensions: 12" L x 18" W x 9" D (30.5cm L x 45.7cm W x 22.9cm D)



Dran-View® 7 DV7P-PX

Dran-View is a Windows based software package that enables power professionals to simply and quickly visualize and analyze power and energy monitoring data. It is a snap to navigate, delivers automated functionality and incorporates powerful analytical capabilities and customizable options to meet the needs of every user. Dran-View is successfully used by thousands of customers around the world, and has become the industry leading power management software tool.



HDPQ[®] SP Weatherproof Power Quality Package HDPQ-SPVAMFLEX3PKG-IP



HDPQ[®] Visa SP

The Best Value in PQ & Energy Monitoring

The **Dranetz HDPQ[®] Visa SP** is housed in an IP65 enclosure and can be powered from the circuit being measured or another source. No other product at this price point comes close to matching the benefits and features provided by the Dranetz HDPQ[®] Visa SP.



Phase Power Interconnect Cable 118708-G1

Phase Power Interconnect Cable. (Standard Accessory)



USB Micro Adapter USBMA-OTG

USB Micro adapter On the Go.



Voltage Cable Set 118375-G1

Includes: 8 - Six ft. (183cm) measurement cables: 4 Black, 4 White; 4 - Black alligator clips; 4 - White alligator clips; 4 - Black 25 cm stackable jumpers. Compatible with portable and permanent systems with 4mm voltage connectors.



4 - DRANFLEX300MHB6-IP Single phase flex probe 3/30/300Amp

3A to 300Amp (3 ranges), 1.5V output, IP65 connector, 2" dia. maximum conductor size, 1000V Max rated.



SCC-HDPQ Soft Carry Case

Individual storage compartments for the instrument, CT's, voltage cables and more. Dimensions: 12" L x 18" W x 9" D (30.5cm L x 45.7cm W x 22.9cm D)



Dran-View[®] 7 DV7P-PX

Dran-View is a Windows based software package that enables power professionals to simply and quickly visualize and analyze power and energy monitoring data. It is a snap to navigate, delivers automated functionality and incorporates powerful analytical capabilities and customizable options to meet the needs of every user. Dran-View is successfully used by thousands of customers around the world, and has become the industry leading power management software tool.



HDPQ® SP Weatherproof Power Quality Package

HDPQ-SPGAFLEX3KPKG-IP



HDPQ® Guide SP

The Best Combination of Value & Technology in a PQ Analyzer

The **Dranetz HDPQ® Guide SP** is housed in an IP65 enclosure and can be powered from the circuit being measured or another source. It includes all of the features of the Dranetz HDPQ® Visa SP instrument, but adds Wi-Fi communications, AnswerModules®, and a 10,000 cycle recording buffer for fault and inrush recording!

Phase Power Interconnect Cable 118708-G1

Phase Power Interconnect Cable. (Standard Accessory)

USB Micro Adapter USBMA-OTG

USB Micro adapter On the Go.

Voltage Cable Set 118375-G1

Includes: 8 - Six ft. (183cm) measurement cables: 4 Black, 4 White; 4 - Black alligator clips; 4 - White alligator clips; 4 - Black 25 cm stackable jumpers. Compatible with portable and permanent systems with 4mm voltage connectors.

1- DRANFLEX3003XLB24-IP Three phase flex probe 30/300/3000Amp

3A to 3000Amp (3 ranges), 1.5V output, IP65 connector, 8" dia. maximum conductor size, 1000V Max rated.

1- DRANFLEX3000XLB24-IP Single phase flex probe 30/300/3000Amp

3A to 3000Amp (3 ranges), 1.5V output, IP65 connector, 8" dia. maximum conductor size, 1000V Max rated.

SCC-HDPQ Soft Carry Case

Individual storage compartments for the instrument, CT's, voltage cables and more. Dimensions: 12" L x 18" W x 9" D (30.5cm L x 45.7cm W x 22.9cm D)

Dran-View® 7 DV7E-PX

Dran-View is a Windows based software package that enables power professionals to simply and quickly visualize and analyze power and energy monitoring data. It is a snap to navigate, delivers automated functionality and incorporates powerful analytical capabilities and customizable options to meet the needs of every user. Dran-View is successfully used by thousands of customers around the world, and has become the industry leading power management software tool.

HDPQ[®] SP Weatherproof Power Quality Package HDPQ-SPGAFLEX6KPKG-IP



HDPQ[®] Guide SP

The Best Combination of Value & Technology in a PQ Analyzer

The **Dranetz HDPQ[®] Guide SP** is housed in an IP65 enclosure and can be powered from the circuit being measured or another source. It includes all of the features of the Dranetz HDPQ[®] Visa SP instrument, but adds Wi-Fi communications, AnswerModules[®], and a 10,000 cycle recording buffer for fault and inrush recording!



Phase Power Interconnect Cable 118708-G1

Phase Power Interconnect Cable. (Standard Accessory)



USB Micro Adapter USBMA-OTG

USB Micro adapter On the Go.



Voltage Cable Set 118375-G1

Includes: 8 - Six ft. (183cm) measurement cables: 4 Black, 4 White; 4 - Black alligator clips; 4 - White alligator clips; 4 - Black 25 cm stackable jumpers. Compatible with portable and permanent systems with 4mm voltage connectors.



1- DRANFLEX6003XLB24-IP Three phase flex probe 60/600/6000Amp

6A to 6000Amp (3 ranges), 1.5V output, IP65 connector, 8" dia. maximum conductor size, 1000V Max rated.

1- DRANFLEX6000XLB24-IP Single phase flex probe 60/600/6000Amp

6A to 6000Amp (3 ranges), 1.5V output, IP65 connector, 8" dia. maximum conductor size, 1000V Max rated.



SCC-HDPQ Soft Carry Case

Individual storage compartments for the instrument, CT's, voltage cables and more. Dimensions: 12" L x 18" W x 9" D (30.5cm L x 45.7cm W x 22.9cm D)



Dran-View[®] 7 DV7E-PX

Dran-View is a Windows based software package that enables power professionals to simply and quickly visualize and analyze power and energy monitoring data. It is a snap to navigate, delivers automated functionality and incorporates powerful analytical capabilities and customizable options to meet the needs of every user. Dran-View is successfully used by thousands of customers around the world, and has become the industry leading power management software tool.



HDPQ® SP Weatherproof Power Quality Package

HDPQ-SPGAMFLEX3PKG-IP



HDPQ® Guide SP

The Best Combination of Value & Technology in a PQ Analyzer

The **Dranetz HDPQ® Guide SP** is housed in an IP65 enclosure and can be powered from the circuit being measured or another source. It includes all of the features of the Dranetz HDPQ® Visa SP instrument, but adds Wi-Fi communications, AnswerModules®, and a 10,000 cycle recording buffer for fault and inrush recording!



Phase Power Interconnect Cable 118708-G1

Phase Power Interconnect Cable. (Standard Accessory)



USB Micro Adapter USBMA-OTG

USB Micro adapter On the Go.



Voltage Cable Set 118375-G1

Includes: 8 - Six ft. (183cm) measurement cables: 4 Black, 4 White; 4 - Black alligator clips; 4 - White alligator clips; 4 - Black 25 cm stackable jumpers. Compatible with portable and permanent systems with 4mm voltage connectors.



4 - DRANFLEX300MHB6-IP Single phase flex probe 3/30/300Amp

3A to 300Amp (3 ranges), 1.5V output, IP65 connector, 2" dia. maximum conductor size, 1000V Max rated.



SCC-HDPQ Soft Carry Case

Individual storage compartments for the instrument, CT's, voltage cables and more. Dimensions: 12" L x 18" W x 9" D (30.5cm L x 45.7cm W x 22.9cm D)



Dran-View® 7 DV7E-PX

Dran-View is a Windows based software package that enables power professionals to simply and quickly visualize and analyze power and energy monitoring data. It is a snap to navigate, delivers automated functionality and incorporates powerful analytical capabilities and customizable options to meet the needs of every user. Dran-View is successfully used by thousands of customers around the world, and has become the industry leading power management software tool.



HDPQ[®] SP Weatherproof Power Quality Package HDPQ-SPXAFLEX3KPKG-IP



HDPQ[®] Xplorer SP

Simply the Best PQ Available - Don't Miss An Event

The Dranetz HDPQ[®] Xplorer SP is housed in an IP65 enclosure and can be powered from the circuit being measured or another source. The Dranetz HDPQ[®] Xplorer SP includes all of the features of the Dranetz HDPQ[®] Visa SP and HDPQ[®] Guide SP power quality instruments, but also adds high speed transient capture capabilities, so you'll never miss an event!



Phase Power Interconnect Cable 118708-G1

Phase Power Interconnect Cable. (Standard Accessory)



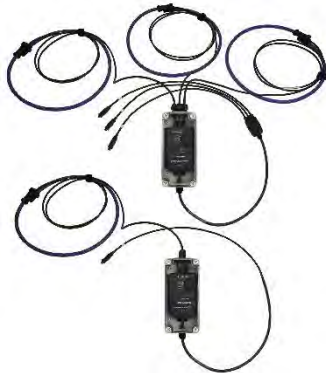
USB Micro Adapter USBMA-OTG

USB Micro adapter On the Go.



Voltage Cable Set 118375-G1

Includes: 8 - Six ft. (183cm) measurement cables: 4 Black, 4 White; 4 - Black alligator clips; 4 - White alligator clips; 4 - Black 25 cm stackable jumpers. Compatible with portable and permanent systems with 4mm voltage connectors.



1- DRANFLEX3003XLB24-IP Three phase flex probe 30/300/3000Amp

3A to 3000Amp (3 ranges), 1.5V output, IP65 connector, 8" dia. maximum conductor size, 1000V Max rated.

1- DRANFLEX3000XLB24-IP Single phase flex probe 30/300/3000Amp

3A to 3000Amp (3 ranges), 1.5V output, IP65 connector, 8" dia. maximum conductor size, 1000V Max rated.



SCC-HDPQ Soft Carry Case

Individual storage compartments for the instrument, CT's, voltage cables and more. Dimensions: 12" L x 18" W x 9" D (30.5cm L x 45.7cm W x 22.9cm D)



Dran-View[®] 7 DV7E-PX

Dran-View is a Windows based software package that enables power professionals to simply and quickly visualize and analyze power and energy monitoring data. It is a snap to navigate, delivers automated functionality and incorporates powerful analytical capabilities and customizable options to meet the needs of every user. Dran-View is successfully used by thousands of customers around the world, and has become the industry leading power management software tool.



XPLORER

HDPQ® SP Weatherproof Power Quality Package

HDPQ-SPXAFLEX6KPKG-IP



HDPQ® Xplorer SP

Simply the Best PQ Available - Don't Miss An Event

The **Dranetz HDPQ® Xplorer SP** is housed in an IP65 enclosure and can be powered from the circuit being measured or another source. The **Dranetz HDPQ® Xplorer SP** includes all of the features of the **Dranetz HDPQ® Visa SP** and **HDPQ® Guide SP** power quality instruments, but also adds high speed transient capture capabilities, so you'll never miss an event!

Phase Power Interconnect Cable 118708-G1

Phase Power Interconnect Cable. (Standard Accessory)

USB Micro Adapter USBMA-OTG

USB Micro adapter On the Go.

Voltage Cable Set 118375-G1

Includes: 8 - Six ft. (183cm) measurement cables: 4 Black, 4 White; 4 - Black alligator clips; 4 - White alligator clips; 4 - Black 25 cm stackable jumpers. Compatible with portable and permanent systems with 4mm voltage connectors.

1- DRANFLEX6003XLB24-IP Three phase flex probe 60/600/6000Amp

6A to 6000Amp (3 ranges), 1.5V output, IP65 connector, 8" dia. maximum conductor size, 1000V Max rated.

1- DRANFLEX6000XLB24-IP Single phase flex probe 60/600/6000Amp

6A to 6000Amp (3 ranges), 1.5V output, IP65 connector, 8" dia. maximum conductor size, 1000V Max rated.

SCC-HDPQ Soft Carry Case

Individual storage compartments for the instrument, CT's, voltage cables and more. Dimensions: 12" L x 18" W x 9" D (30.5cm L x 45.7cm W x 22.9cm D)

Dran-View® 7 DV7E-PX

Dran-View is a Windows based software package that enables power professionals to simply and quickly visualize and analyze power and energy monitoring data. It is a snap to navigate, delivers automated functionality and incorporates powerful analytical capabilities and customizable options to meet the needs of every user. Dran-View is successfully used by thousands of customers around the world, and has become the industry leading power management software tool.

XPLORER

HDPQ[®] SP Weatherproof Power Quality Package

HDPQ-SPXAMFLEX3PKG-IP



HDPQ[®] Xplorer SP

Simply the Best PQ Available - Don't Miss An Event

The Dranetz HDPQ[®] Xplorer SP is housed in an IP65 enclosure and can be powered from the circuit being measured or another source. The Dranetz HDPQ[®] Xplorer SP includes all of the features of the Dranetz HDPQ[®] Visa SP and HDPQ[®] Guide SP power quality instruments, but also adds high speed transient capture capabilities, so you'll never miss an event!



Phase Power Interconnect Cable 118708-G1

Phase Power Interconnect Cable. (Standard Accessory)



USB Micro Adapter USBMA-OTG

USB Micro adapter On the Go.



Voltage Cable Set 118375-G1

Includes: 8 - Six ft. (183cm) measurement cables: 4 Black, 4 White; 4 - Black alligator clips; 4 - White alligator clips; 4 - Black 25 cm stackable jumpers. Compatible with portable and permanent systems with 4mm voltage connectors.



4 - DRANFLEX300MHB6-IP Single phase flex probe 3/30/300Amp

3A to 300Amp (3 ranges), 1.5V output, IP65 connector, 2" dia. maximum conductor size, 1000V Max rated.



SCC-HDPQ Soft Carry Case

Individual storage compartments for the instrument, CT's, voltage cables and more. Dimensions: 12" L x 18" W x 9" D (30.5cm L x 45.7cm W x 22.9cm D)



Dran-View[®] 7 DV7E-PX

Dran-View is a Windows based software package that enables power professionals to simply and quickly visualize and analyze power and energy monitoring data. It is a snap to navigate, delivers automated functionality and incorporates powerful analytical capabilities and customizable options to meet the needs of every user. Dran-View is successfully used by thousands of customers around the world, and has become the industry leading power management software tool.



XPLORER

HDPQ® SP Weatherproof Power Quality Package

HDPQ-SPX4AFLEX3KPKG-IP

HDPQ® Xplorer 400 SP

Designed for Commercial, Military, Aviation, and Naval Industries with 400Hz Monitoring Capability!

The **Dranetz HDPQ® Xplorer 400 SP** is housed in an IP65 enclosure and can be powered from the circuit being measured or another source. The Dranetz HDPQ® Xplorer 400 SP was designed with 400Hz applications in mind, but it is also an all-purpose tool that can be used for any traditional 50/60Hz application. In addition to the 400Hz application, the Dranetz HDPQ® Xplorer 400 SP is perfect for applications such as power quality surveys, voltage and current transient studies, fault recording, inrush, motor testing, harmonic analysis, advanced distortion analysis, demand/energy/load studies, and many more.

Phase Power Interconnect Cable 118708-G1

Phase Power Interconnect Cable. (Standard Accessory)

USB Micro Adapter USBMA-OTG

USB Micro adapter On the Go.

Voltage Cable Set 118375-G1

Includes: 8 - Six ft. (183cm) measurement cables: 4 Black, 4 White; 4 - Black alligator clips; 4 - White alligator clips; 4 - Black 25 cm stackable jumpers. Compatible with portable and permanent systems with 4mm voltage connectors.

1- DRANFLEX3003XLB24-IP Three phase flex probe 30/300/3000Amp

3A to 3000Amp (3 ranges), 1.5V output, IP65 connector, 8" dia. maximum conductor size, 1000V Max rated.

1- DRANFLEX3000XLB24-IP Single phase flex probe 30/300/3000Amp

3A to 3000Amp (3 ranges), 1.5V output, IP65 connector, 8" dia. maximum conductor size, 1000V Max rated.

SCC-HDPQ Soft Carry Case

Individual storage compartments for the instrument, CT's, voltage cables and more. Dimensions: 12" L x 18" W x 9" D (30.5cm L x 45.7cm W x 22.9cm D)

Dran-View® 7 DV7E-PX

Dran-View is a Windows based software package that enables power professionals to simply and quickly visualize and analyze power and energy monitoring data. It is a snap to navigate, delivers automated functionality and incorporates powerful analytical capabilities and customizable options to meet the needs of every user. Dran-View is successfully used by thousands of customers around the world, and has become the industry leading power management software tool.



HDPQ[®] SP Weatherproof Power Quality Package HDPQ-SPX4AFLEX6KPKG-IP

HDPQ[®] Xplorer 400 SP

Designed for Commercial, Military, Aviation, and Naval Industries with 400Hz Monitoring Capability!

The **Dranetz HDPQ[®] Xplorer 400 SP** is housed in an IP65 enclosure and can be powered from the circuit being measured or another source. The Dranetz HDPQ[®] Xplorer 400 SP was designed with 400Hz applications in mind, but it is also an all-purpose tool that can be used for any traditional 50/60Hz application. In addition to the 400Hz application, the Dranetz HDPQ[®] Xplorer 400 SP is perfect for applications such as power quality surveys, voltage and current transient studies, fault recording, inrush, motor testing, harmonic analysis, advanced distortion analysis, demand/energy/load studies, and many more.

Phase Power Interconnect Cable 118708-G1

Phase Power Interconnect Cable. (Standard Accessory)



USB Micro Adapter USBMA-OTG

USB Micro adapter On the Go.



Voltage Cable Set 118375-G1

Includes: 8 - Six ft. (183cm) measurement cables: 4 Black, 4 White; 4 - Black alligator clips; 4 - White alligator clips; 4 - Black 25 cm stackable jumpers. Compatible with portable and permanent systems with 4mm voltage connectors.



1- DRANFLEX6003XLB24-IP Three phase flex probe 60/600/6000Amp

6A to 6000Amp (3 ranges), 1.5V output, IP65 connector, 8" dia. maximum conductor size, 1000V Max rated.



1- DRANFLEX6000XLB24-IP Single phase flex probe 60/600/6000Amp

6A to 6000Amp (3 ranges), 1.5V output, IP65 connector, 8" dia. maximum conductor size, 1000V Max rated.



SCC-HDPQ Soft Carry Case

Individual storage compartments for the instrument, CT's, voltage cables and more. Dimensions: 12" L x 18" W x 9" D (30.5cm L x 45.7cm W x 22.9cm D)

Dran-View[®] 7 DV7E-PX

Dran-View is a Windows based software package that enables power professionals to simply and quickly visualize and analyze power and energy monitoring data. It is a snap to navigate, delivers automated functionality and incorporates powerful analytical capabilities and customizable options to meet the needs of every user. Dran-View is successfully used by thousands of customers around the world, and has become the industry leading power management software tool.



XPLORER 400

HDPQ® SP Weatherproof Power Quality Package

HDPQ-SPX4AMFLEX3PKG-IP

HDPQ® Xplorer 400 SP

Designed for Commercial, Military, Aviation, and Naval Industries with 400Hz Monitoring Capability!

The **Dranetz HDPQ® Xplorer 400 SP** is housed in an IP65 enclosure and can be powered from the circuit being measured or another source. The Dranetz HDPQ® Xplorer 400 SP was designed with 400Hz applications in mind, but it is also an all-purpose tool that can be used for any traditional 50/60Hz application. In addition to the 400Hz application, the Dranetz HDPQ® Xplorer 400 SP is perfect for applications such as power quality surveys, voltage and current transient studies, fault recording, inrush, motor testing, harmonic analysis, advanced distortion analysis, demand/energy/load studies, and many more.

Phase Power Interconnect Cable 118708-G1

Phase Power Interconnect Cable. (Standard Accessory)

USB Micro Adapter USBMA-OTG

USB Micro adapter On the Go.

Voltage Cable Set 118375-G1

Includes: 8 - Six ft. (183cm) measurement cables: 4 Black, 4 White; 4 - Black alligator clips; 4 - White alligator clips; 4 - Black 25 cm stackable jumpers. Compatible with portable and permanent systems with 4mm voltage connectors.

4 – DRANFLEX300MHB6-IP Single phase flex probe 3/30/300Amp

3A to 300Amp (3 ranges), 1.5V output, IP65 connector, 2" dia. maximum conductor size, 1000V Max rated.

SCC-HDPQ Soft Carry Case

Individual storage compartments for the instrument, CT's, voltage cables and more. Dimensions: 12" L x 18" W x 9" D (30.5cm L x 45.7cm W x 22.9cm D)

Dran-View® 7 DV7E-PX

Dran-View is a Windows based software package that enables power professionals to simply and quickly visualize and analyze power and energy monitoring data. It is a snap to navigate, delivers automated functionality and incorporates powerful analytical capabilities and customizable options to meet the needs of every user. Dran-View is successfully used by thousands of customers around the world, and has become the industry leading power management software tool.



XPLORER 400



Notes



IP65 Flexible Probes

AC only, for use with LPC-HDPQ or HPPQ-SP.

Single Phase



Three Phase



DRANFLEX3000XLB-IP 30A/300A/3000A Probe
DRANFLEX6000XLB-IP 60A/600A/6000A Probe
Available in 24", 36" and 48"

DRANFLEX3003XLB-IP 30A/300A/3000A Probe
DRANFLEX6003XLB-IP 60A/600A/6000A Probe
Available in 24", 36" and 48"

Model	Range	Amplitude Accuracy ±	Phase Accuracy +/-	Frequency Range	Maximum Conductor Size	Rated Voltage	Connector/ Output
DRANFLEX3000XLB-IP DRANFLEX3003XLB-IP 24/36/48	3A to 3000A (3 Ranges)	3A to 30A	1%rdg, ±0.1A	1°	10Hz to 10KHz	8/11/17in dia.	1000V Max Dranetz 1.5V
		30A to 300A	1%rdg, ±0.1A	1°			
		300A to 3000A	1%rdg, ±1A	1°			
DRANFLEX6000XLB-IP DRANFLEX6006XLB-IP 24/36/48	6A to 6000A 3 ranges	6A to 60 A	1%rdg, ±0.1A	1°	10Hz to 10KHz	8/11/17in dia.	1000V Max Dranetz 1.5V
		60A to 600A	1%rdg, ±0.1A	1°			
		600A to 6000A	1%rdg, ±1A	1°			

NOTE: These are guidelines only. Many other factors will influence the stated accuracy, including but not limited to; temperature, humidity, frequency, and conductor position. Model numbers and specifications subject to change without notice.

IP65 MicroFlex Probes

AC only-Single phase, for use with LPC-HDPQ or HDPQ-SP.



DRANFLEX300MHB-IP 3A/30A/300A Probe
Available in 6", 8" and 12"

Model	Range	Amplitude Accuracy ±	Phase Accuracy +/-	Frequency Range	Maximum Conductor Size	Rated Voltage	Connector/ Output
DRANFLEX300MHB6-IP DRANFLEX300MHB8-IP DRANFLEX300MHB12-IP 6/8/12	0.3A to 300A 3 ranges	0.3A to 3A	1%rdg, ± 0.1A	1°	25Hz to 70kHz	2/2.75/4in dia.	1000V MAX Dranetz 1.5V
		3A to 30A	1%rdg, ± 0.1A	1°			
		30A to 300A	1%rdg, ± 0.5A	1°			

Note: These are guidelines only. Many other factors will influence the stated accuracy, including but not limited to; temperature, humidity, frequency, and conductor position. Model numbers and specifications subject to change without notice.

The current probes shown above have a 1.5V output, IP65 connector, 3 meter cable (2 meters from probe head to IP65 Integrator box, 1 meter to instrument) and are directly compatible with the following Dranetz products:

Portable instruments

Dranetz HDPQ-XPLORER400-A-SP, HDPQ-XPLORER-A-SP, HDPQ-GUIDE-A-SP and HDPQ-VISA-A-SP.

IP65 Lockable Portable Cases

LPC-HDPQ only.

Note: Custom ordered parts – Please contact the Factory for delivery information.



HDPQ[®] SP Miscellaneous Accessories

USB-FLASH



USB flash drive (Micro)-8GB.

USBMA-OTG USB Micro Adapter



USB Micro Adapter On the Go. (Standard Accessory)

TRTOIP65-EXT1



TR to IP65, 16 inch length, (Qty. 1) Current Probe Adapter Cables. (Standard Accessory)

TRTOIP65-EXT6



TR to IP65, 6 FT length, (Qty. 1) Current Probe Adapter Cables.

ETH-HDPQ-SP



IP65 rated Ethernet cable to be used with HDPQ-SP-Xplorer400, HDPQ-SP-Xplorer, HDPQ-SP-Guide, and HDPQ-SP-Visa.

HDPQ[®] SP Battery

BP-HDPQ-SP (Standard Accessory)

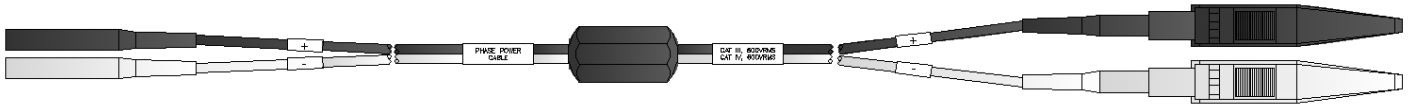


Battery for HDPQ-SP-Xplorer400, HDPQ-SP-Xplorer, HDPQ-SP-Guide, and HDPQ-SP-Visa.



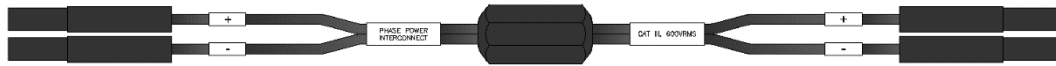
HDPQ® SP Measurement Accessories

118707-G1



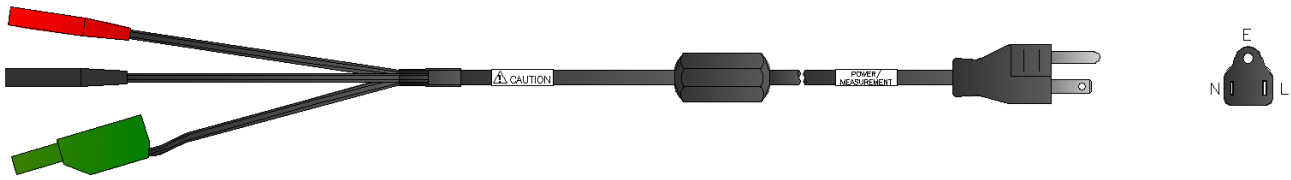
HDPQ-SP CAT IV Phase Power Cables/Clip- Use when powering from a CAT IV source. (Optional Accessory)

118708-G1



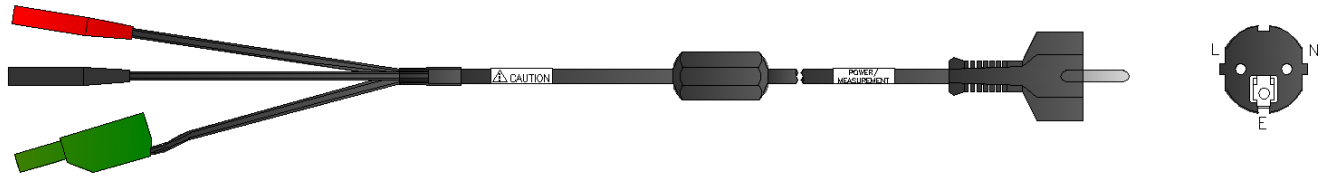
Phase Power Interconnect Cable. (Standard Accessory)

HDPQ-SPPWR-US



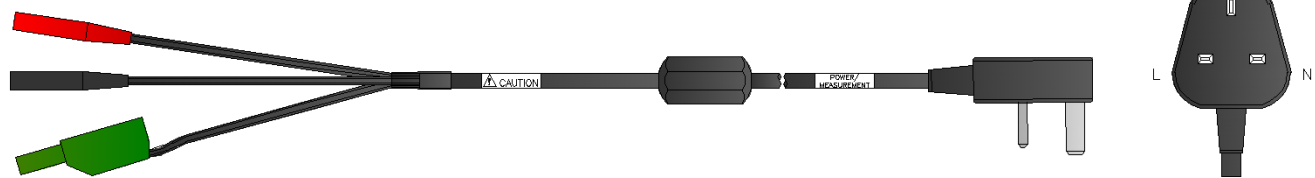
HDPQ-SP US Power Cord, for use when not powering from the phase. (Optional Accessory)

HDPQ-SPPWR-EU



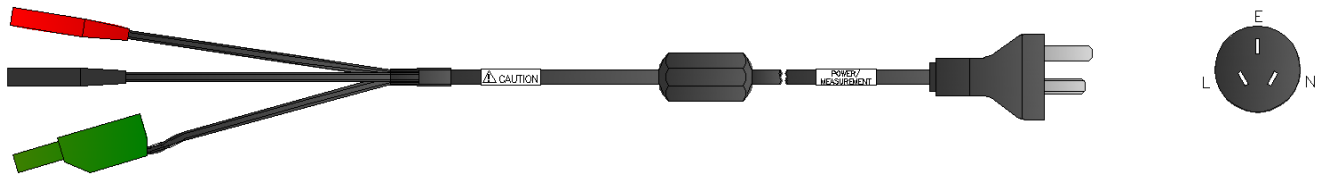
HDPQ-SP Euro Power Cord, for use when not powering from the phase. (Optional Accessory)

HDPQ-SPPWR-UK



HDPQ-SP UK Power Cord, for use when not powering from the phase. (Optional Accessory)

HDPQ-SPPWR-AU



HDPQ-SP AU Power Cord, for use when not powering from the phase. (Optional Accessory)



HDPQ[®] SP Measurement Accessories

VCS-HDPQ Voltage Cable Set (Standard Accessory)



Voltage cable set with 4mm connectors.
Compatible with portable and permanent systems with 4mm voltage connectors.

Includes:

- 8 - Six ft. (183cm) measurement cables:
4 Black (901963), 4 White (900370)
- 4 - White alligator clips (901962)
- 4 - Black alligator clips (901794)
- 4 - Black 25 cm stackable jumpers (114013-G1)
- Current and Voltage Wire Marking Kit (WMI-KIT, WMV-KIT)

CVCS-HDPQ Color Voltage Cable Set



Color Voltage cable set with 4mm connectors.
Compatible with portable and permanent systems with 4mm voltage connectors.

Includes:

- 11 - Six ft. (183cm) measurement cables:
4 White (900370), 1 RED (902159-LF), 1 YELLOW (902160-LF), 1 GRAY (902161-LF),
1 BROWN (902162-LF), 1 BLUE (902163-LF), 1 ORANGE (902244-LF) and
1 GREEN (902245-LF).
- 4 - White alligator clips (901962)
- 4 - Black alligator clips (901794)
- 1 - Green alligator clip (902246-LF)
- 4 - Black 25 cm stackable jumpers (114013-G1)
- 1 - Color Ring Label Set (4 white, 4 red, 4 yellow, 4 gray, 4 brown, 4 blue, 4 orange and 4 green)

WMI-KIT



Wire Marker kit for Current Probes, Snap-on, .218 DIA.

WMV-KIT



Wire Marker kit for Voltage Cables, Snap-on, .138 DIA.

WMFV-KIT



Wire Marker kit for Fuse Voltage Kit, Snap-on, .138 DIA.

CL-KIT-HDPQ



HDPQ colored V/I channel label Kit.

White Alligator Clip 901962

(Standard Accessory)



Black Alligator Clip 901794

(Standard Accessory)



Green Alligator Clip 902246-LF

(Supplied with CVCS-HDPQ)



- 1 - Black 25 cm stackable jumpers

FVA-1K1 Single Fuse Voltage Adapter



In-line fuse adapter for one voltage channel, 4mm connector, 1000V MAX.
Compatible with portable and permanent systems with 4mm voltage connectors.

FVA-1K4



Set of 4 in-line fuse adapters, 4mm connector, 1000V MAX.
Compatible with portable and permanent systems with 4mm voltage connectors.



HDPQ® SP Carrying Cases and Enclosures

SCC-HDPQ Soft Carry Case



Soft carry case. Storage compartments for the instrument, CT's, voltage cables, and more.

Dimensions:

12" L x 18" W x 9" D

30.5cm L x 45.72cm W X 22.86cm D

RSC-HDPQ-SP



Rugged shipping container with foam inserts

(Does NOT include HDPQ SP UNIT and HDPQ SP cable pouch).

Dimensions:

20.62" L x 16.82" W x 8.12" D

52.4 cm L x 42.8 cm W x 20.6 cm D

HDPQ® SP Communications

GPSMA-HDPQ



HDPQ-SP GPS Magnetic Mount GPS Antenna.

USB-BLUETOOTH-SP

(Standard Accessory on HDPQ Guide SP, HDPQ Xplorer SP and HDPQ Xplorer 400 SP)



USB Bluetooth 2.1 adapter, Class I

GPS-HDPQ-SP



HDPQ-SP GPS Receiver. Must be specified at time of order. (Factory Installed Option)

GPSMAKIT-HDPQ-SP



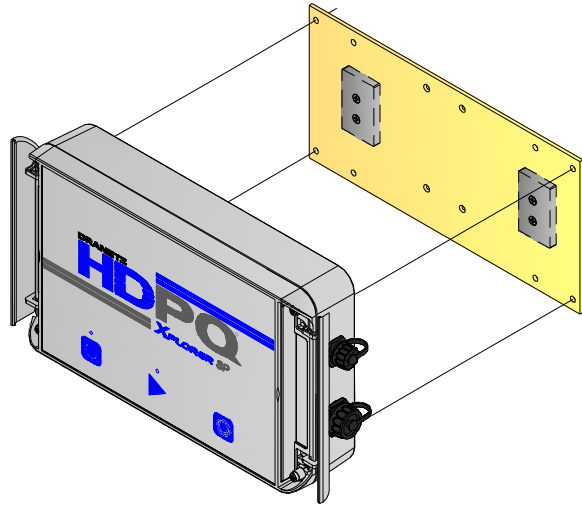
HDPQ-SP GPS Receiver plus a Magnetic Mount GPS Antenna. Must be specified at time of order. (Factory Installed Option)



HDPQ[®] SP Mounting Options

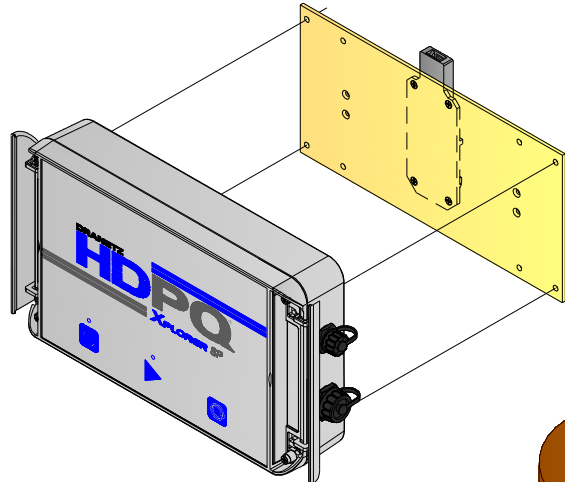
HDPQ SP Magnetic Mount MM-HDPQ-SP

The Magnetic Mounting optional accessory **MM-HDPQ-SP** allows the Dranetz HDPQ-SP Instrument to be attached to ferromagnetic Metallic surfaces.



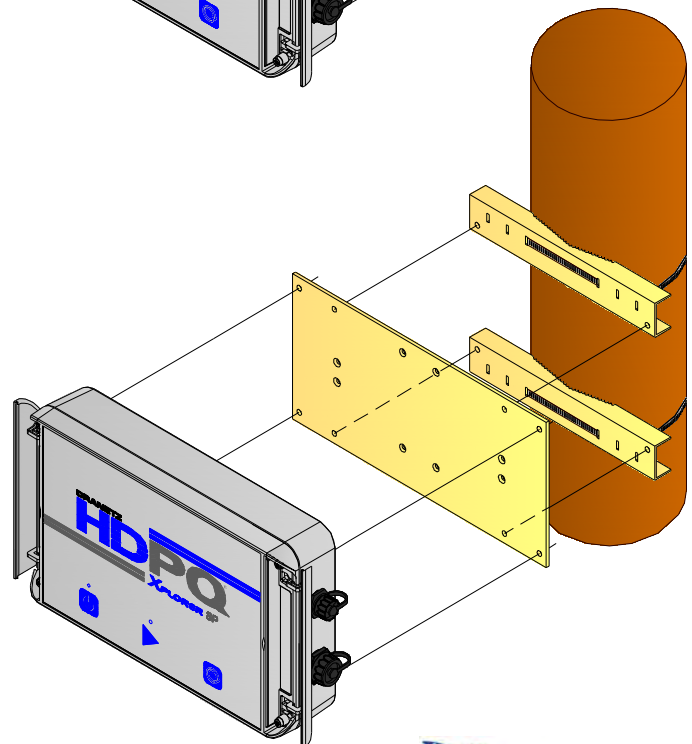
HDPQ SP Din-Rail Mount DIN-HDPQ-SP

The DIN Rail Mounting optional accessory **DIN-HDPQ-SP** allows the Dranetz HDPQ-SP Instruments to be attached to a 35mm wide Standard DIN rail mount.



HDPQ SP Pole Mount PM-HDPQ-SP

The Pole Mounting optional accessory **PM-HDPQ-SP** allows the Dranetz HDPQ-SP Instruments to be attached to many pole shapes and sizes up through 15" diameter.





Dranetz - The Standard for Energy & Power Management

For more than 50 years, Dranetz has been the leading provider of intelligent monitoring solutions for electrical demand, energy and power quality. With over 100,000 clients worldwide, Dranetz's scalable solutions range from portable power quality analysis equipment, to permanent energy management devices with data storage and web-based solutions. Dranetz provides a full suite of services, including personalized pre- and post-sales support, educational power quality seminars, consulting, customization and on-site assistance.

Dranetz corporate headquarters, located in Edison, New Jersey USA, includes sales, product support and manufacturing, with distributors and sales representatives located globally. Dranetz proudly manufactures their products in the USA, and is also a global supplier of [Gossen Metrawatt \(GMC-I\)](#) electrical test and measurement products.

View our power quality analyzers, energy monitoring systems, electrical safety testers, electrical digital multifunction meters and more at www.Dranetz.com (categorized by function to easily determine the Dranetz product that is the right tool for your needs).

